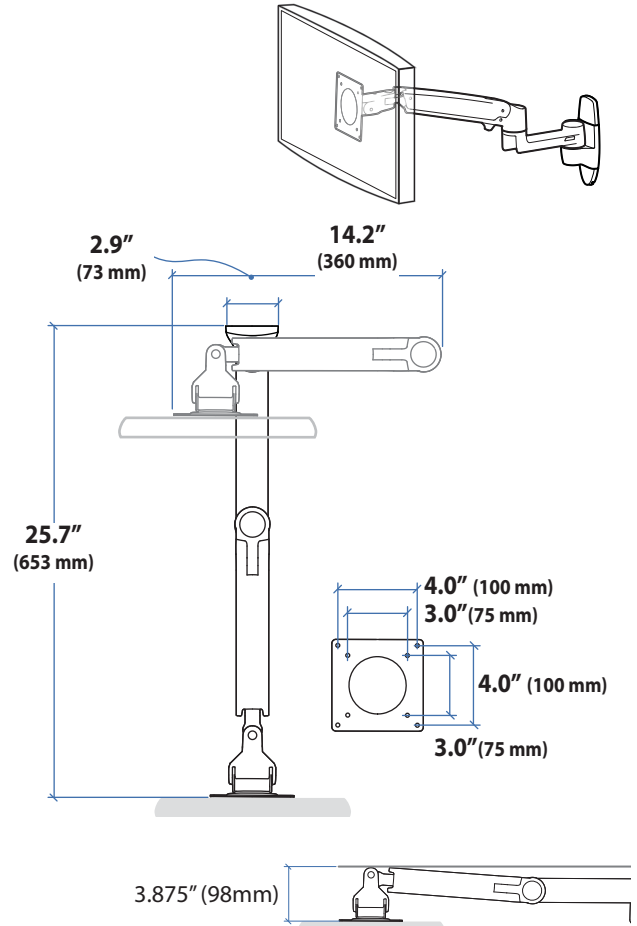
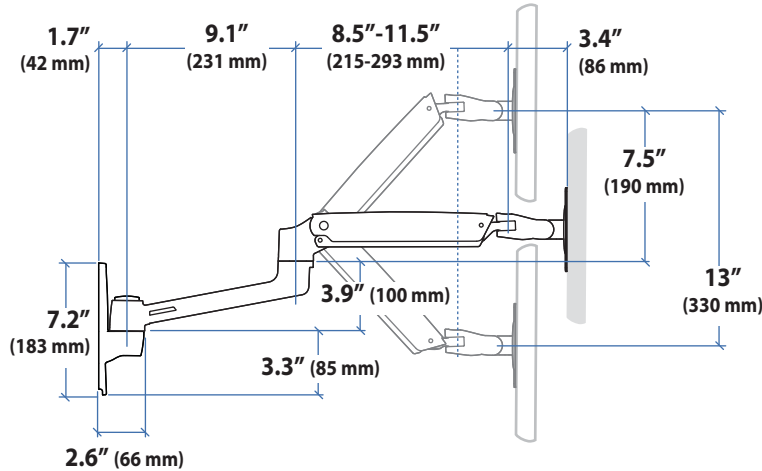


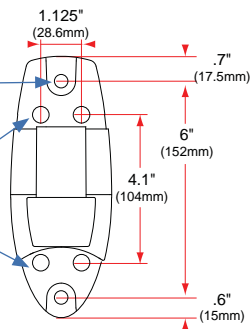
Dimensions



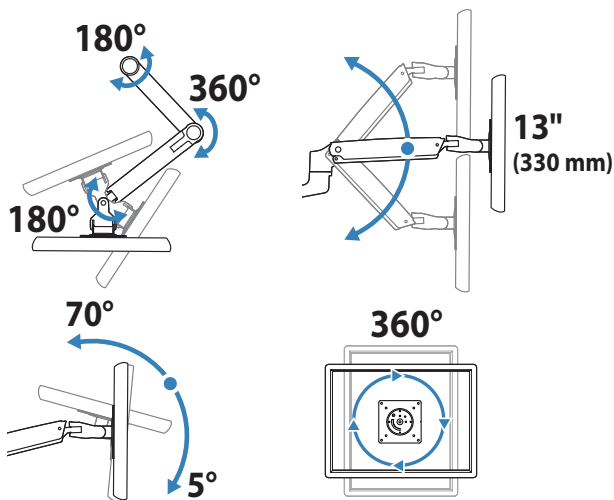
Wall Mount Bracket

Stud mounting:
M8 x 80mm or 5/16" x 3" and flat washer 8mm or 5/16" (2 places)

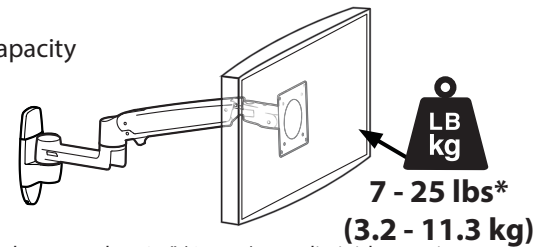
Wall Track mounting:
Button head cap screw #10-24 x 5/8" (4 places)



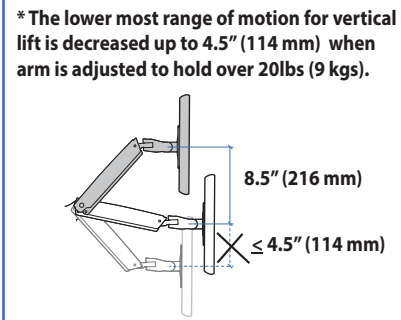
Range of Motion



Weight Capacity



Monitor depth greater than 2.5" (64 mm) may diminish capacity. Call Ergotron for more information.



© 2014 Ergotron, Inc. rev. 12/17/2018 DIM-LXWM Content is subject to change without notification

Americas Sales and Corporate Headquarters

St. Paul, MN USA
(800) 888-8458
+1-651-681-7600
www.ergotron.com
sales@ergotron.com

EMEA Sales

Amersfoort, The Netherlands
+31 33 45 45 600
www.ergotron.com
info.eu@ergotron.com

APAC Sales

Tokyo, Japan
www.ergotron.com
japansupport@ergotron.com

Worldwide OEM Sales

www.ergotron.com
info.oem@ergotron.com